

# FUTEK MODEL LSB300

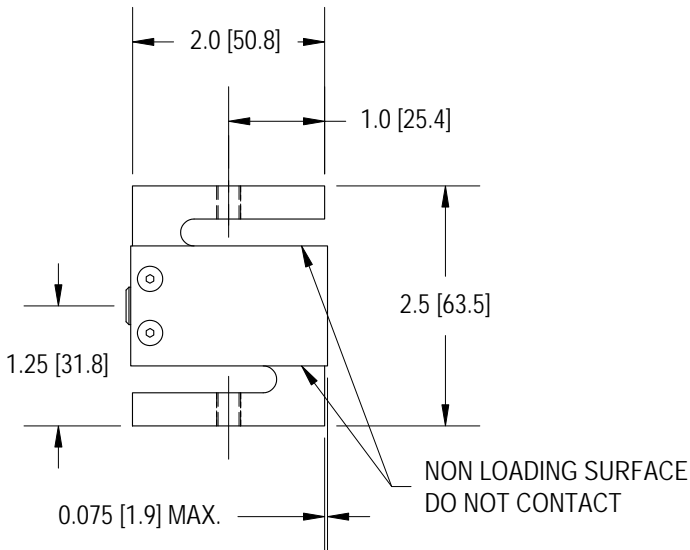
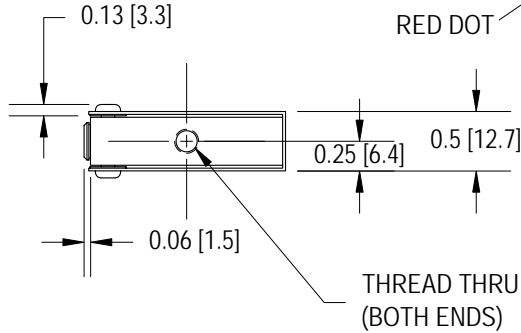
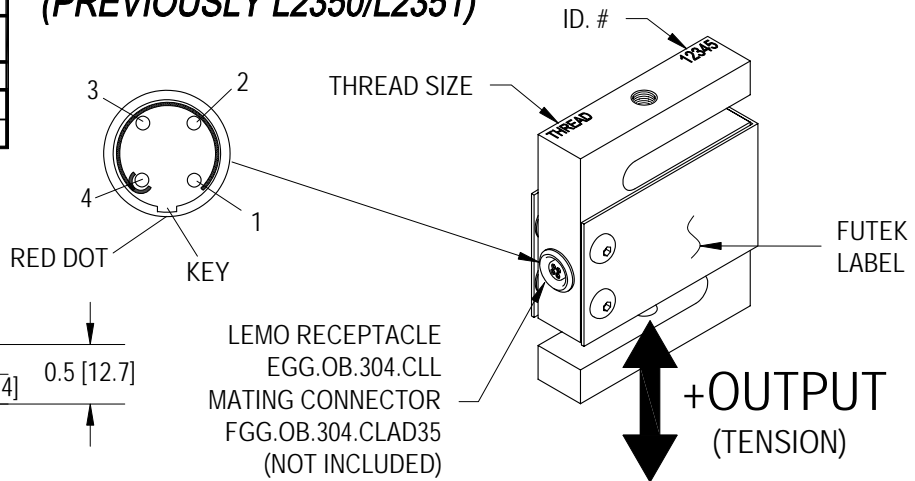
## S-BEAM LOAD CELL IN TENSION AND COMPRESSION (PREVIOUSLY L2350/L2351)

Drawing Number: FI1072-A

INCH [mm] | R.O.= Rated Output

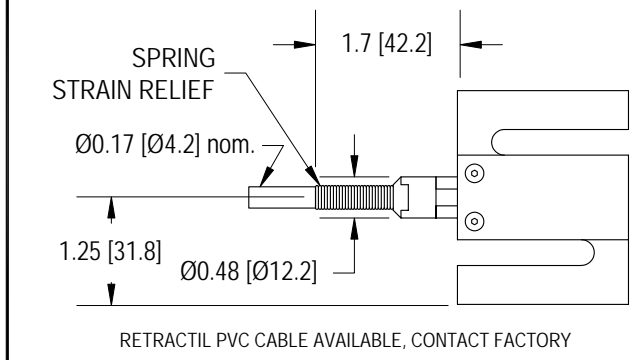
WIRING CODE (CC4)

+Excitation	-Excitation	+Signal	-Signal
1	4	2	3



#28 AWG, 6 Conductor Polyurethane Cable (5ft) Option

WIRING CODE (WC4)			
+Excitation	-Excitation	+Signal	-Signal
RED	BLACK	GREEN	WHITE
+Sense	-Sense	Shield	
ORANGE	BLUE	Grounded	



### SPECIFICATIONS:

<b>RATED OUTPUT</b>	2 mV/V nom.
<b>SAFE OVERLOAD</b>	150% of R.O.
<b>ZERO BALANCE</b>	±1% of R.O.
<b>EXCITATION (VDC OR VAC)</b>	20 MAX
<b>BRIDGE RESISTANCE</b>	1000 Ω nom.
<b>NONLINEARITY</b>	±0.05% of R.O.
<b>HYSTERESIS</b>	±0.05% of R.O.
<b>NONREPEATABILITY</b>	±0.05% of R.O.
<b>CREEP</b>	±0.025% of LOAD
<b>TEMP. SHIFT ZERO</b>	±0.001% of R.O./°F [0.0018% of R.O./°C]
<b>TEMP. SHIFT SPAN</b>	±0.0008% of LOAD/°F [0.0014% of LOAD/°C]
<b>COMPENSATED TEMP.</b>	60 to 160°F [15 to 72°C]
<b>OPERATING TEMP.</b>	-60 to 200°F [-50 to 93°C]
<b>WEIGHT</b>	5 oz [142 g]
<b>MATERIAL</b>	ANODIZED ALUMINUM
<b>DEFLECTION</b>	0.003 to 0.010 [0.08 to 0.25] nom.
<b>CONNECTOR: 4 Pin LEMTO Receptacle (EGG.OB.304.CLL)</b>	
<b>ACCESSORIES AND RELATED INSTRUMENTS</b>	
<b>CALIBRATION (STD)</b>	5 pt TENSION; 150K Ω SHUNT CAL. VALUE
<b>CALIBRATION (AVAILABLE)</b>	COMPRESSION
<b>CALIBRATION TEST EXCITATION</b>	10 VDC

STK#	CAPACITY lb	N	THREAD	CONNECTOR LEMTO	CABLE
FSH00957	25	111	1/4-28	X	X
FSH02074			M6 X 1	X	X
FSH00956				X	X
FSH02073	50	222	1/4-28	X	X
FSH00959			M6 X 1	X	X
FSH02075				X	X
FSH00958	100	445	1/4-28	X	X
FSH01589			M6 X 1	X	X
FSH00961				X	X
FSH02076	200	890	1/4-28	X	X
FSH00960			M10 X 1.5	X	X
FSH01504				X	X
FSH00963	300	1334	1/4-28	X	X
FSH02077			M10 X 1.5	X	X
FSH00962				X	X
FSH01590			1/4-28	X	X
FSH00965			M10 X 1.5	X	X
FSH02078				X	X
FSH00964				X	X
FSH02079				X	X



This drawing is submitted solely for the information and exclusive use of the original addressee. It is not to be divulged in whole or in part, by any firm or individual without written permission from FUTEK.



Via Paolo Uccello 4 20148 Milano  
Tel +39 02 48 009 757 Fax +39 02 48 002 070 info@dspmindustria.it www.dspmindustria.it

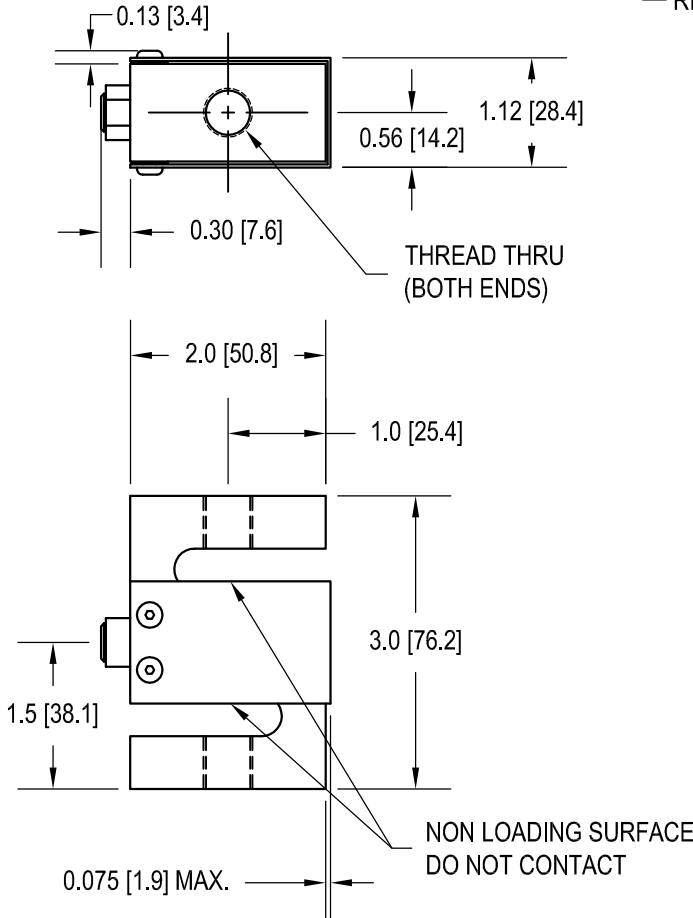
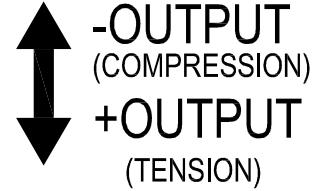
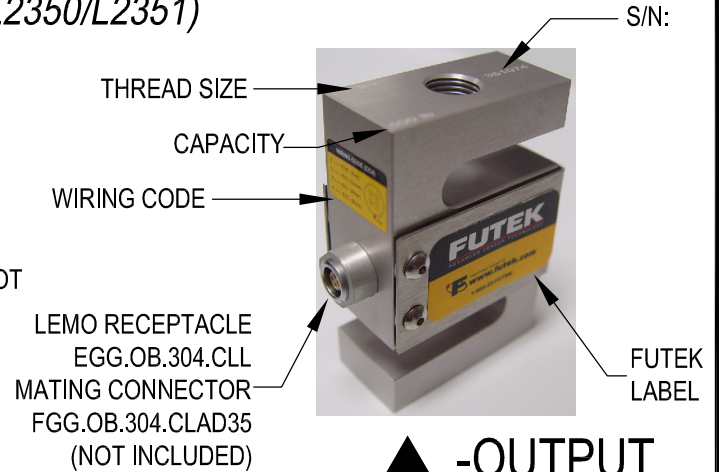
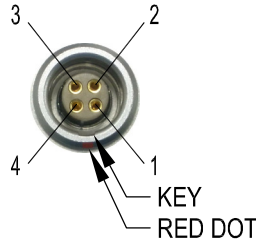
# FUTEK MODEL LSB350

Drawing Number: FI1073-A

INCH [mm] | R.O.= Rated Output

CONNECTOR CODE (CC4)			
+Excitation	-Excitation	+Signal	-Signal
PIN 1	PIN 4	PIN 2	PIN 3

## S-BEAM LOAD CELL IN TENSION AND COMPRESSION (PREVIOUSLY L2350/L2351)



#28 AWG, 6 Conductor PU Cable (5ft) Option

WIRING CODE (WC4)			
+Excitation	-Excitation	+Signal	-Signal
RED	BLACK	GREEN	WHITE
+Sense	-Sense	Shield	
ORANGE	BLUE	Grounded	

RETRACTILE PVC CABLE AVAILABLE, CONTACT FACTORY

### SPECIFICATIONS:

RATED OUTPUT	2 mV/V nom.
SAFE OVERLOAD	150% of R.O.
ZERO BALANCE	±1% of R.O.
EXCITATION (VDC OR VAC)	20 MAX
BRIDGE RESISTANCE	1000 Ω nom.
NONLINEARITY	±0.1% of R.O.
HYSTERESIS	±0.05% of R.O.
NONREPEATABILITY	±0.05% of R.O.
CREEP	±0.025% of LOAD
TEMP. SHIFT ZERO	±0.001% of R.O./°F [0.0018% of R.O./°C]
TEMP. SHIFT SPAN	±0.0008% of LOAD/°F [0.0014% of LOAD/°C]
COMPENSATED TEMP.	60 to 160°F [15 to 72°C]
OPERATING TEMP.	-60 to 200°F [-50 to 93°C]
WEIGHT	7.5 oz [212 g] (2000 lb - 18 oz [510 g])
MATERIAL	ANODIZED ALUMINUM (2000 lb - 17-4PH S.S.)
DEFLECTION	0.003 to 0.010 [0.08 to 0.25] nom.
CONNECTOR:	4 Pin LEMO Receptacle (EGG.OB.304.CLL)
ACCESSORIES AND RELATED INSTRUMENTS	
CALIBRATION (STD)	5 pt TENSION; 150K Ω SHUNT CAL. VALUE
CALIBRATION (AVAILABLE)	COMPRESSION
CALIBRATION TEST EXCITATION	10 VDC

ITEM#	CAPACITY lb	N	THREAD	CONNECTOR LEMO	CABLE
FSH00967	500	2224	1/2-20	X	
FSH02072					X
FSH00966			M12 X 1.75	X	
FSH01591					X
FSH00971	1000	4448	1/2-20	X	
FSH02070					X
FSH00970			M12 X 1.75	X	
FSH01592					X
FSH00973	2000	8896	1/2-20	X	
FSH02068					X
FSH00972			M12 X 1.75	X	
FSH01593					X

# FUTEK MODEL LSB400

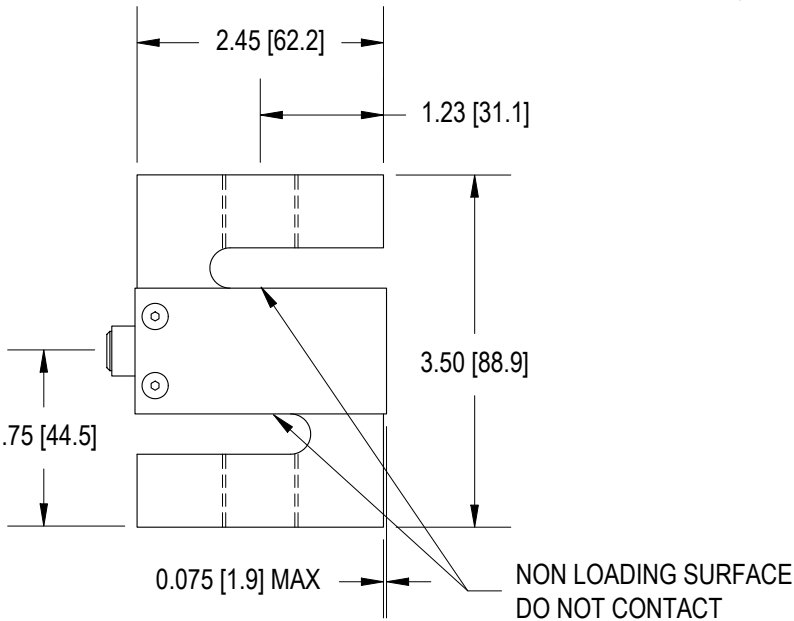
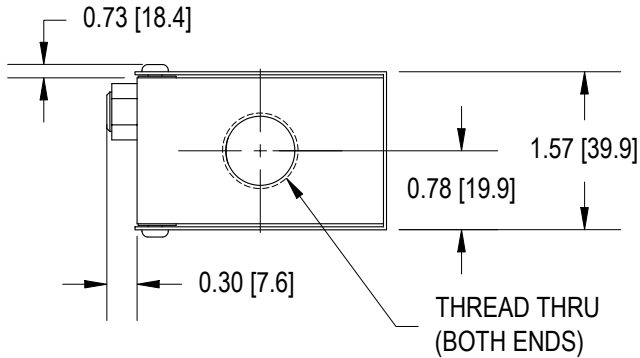
# S-BEAM LOAD CELL IN TENSION AND COMPRESSION (PREVIOUSLY L2350/L2351)

**Drawing Number: FI1074**

**INCH [mm] | R.O.= Rated Output**

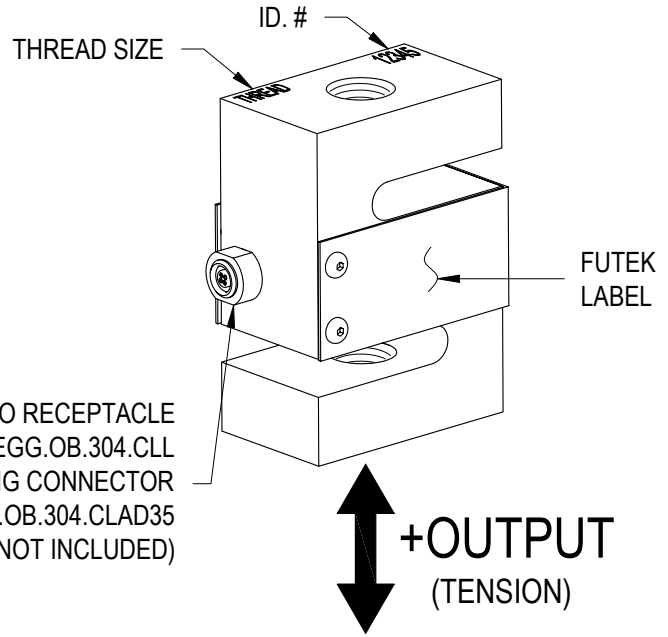
WIRING CODE (CC4)

+Excitation	-Excitation	+Signal	-Signal
RED	BLACK	GREEN	WHITE



## SPECIFICATIONS:

<b>RATED OUTPUT</b>	2 mV/V <i>nom.</i>
<b>SAFE OVERLOAD</b>	150% of R.O.
<b>ZERO BALANCE</b>	±1% of R.O.
<b>EXCITATION (VDC OR VAC)</b>	20 MAX
<b>BRIDGE RESISTANCE</b>	350 Ω <i>nom.</i>
<b>NONLINEARITY</b>	±0.05% of R.O.
<b>HYSTERESIS</b>	±0.05% of R.O.
<b>NONREPEATABILITY</b>	±0.05% of R.O.
<b>CREEP</b>	±0.025% of LOAD
<b>TEMP. SHIFT ZERO</b>	±0.001% of R.O./°F [0.0018% of R.O./°C]
<b>TEMP. SHIFT SPAN</b>	±0.0008% of LOAD/°F [0.0014% of LOAD/°C]
<b>COMPENSATED TEMP.</b>	60 to 160°F [15 to 72°C]
<b>OPERATING TEMP.</b>	-60 to 200°F [-50 to 93°C]
<b>WEIGHT</b>	53 oz [1500 g]
<b>MATERIAL</b>	17-4PH S.S.
<b>DEFLECTION</b>	0.003 to 0.010 [0.08 to 0.25] <i>nom.</i>
<b>CONNECTOR: 4 Pin LEMO Receptacle</b>	(EGG.OB.304.CLL)
<b>ACCESSORIES AND RELATED INSTRUMENTS</b>	
<b>CALIBRATION (STD)</b>	5 pt TENSION; 60.4 KΩ SHUNT CAL. VALUE
<b>CALIBRATION (AVAILABLE)</b>	COMPRESSION
<b>CALIBRATION TEST EXCITATION</b>	10 VDC



LEMO RECEPTACLE  
EGG.OB.304.CLL  
MATING CONNECTOR  
FGG.OB.304.CLAD35  
(NOT INCLUDED)

#28 AWG, 6 Conductor PU Cable (5ft) Option

WIRING CODE (WC4)			
+Excitation	-Excitation	+Signal	-Signal
RED	BLACK	GREEN	WHITE
+Sense	-Sense	Shield	
ORANGE	BLUE	Grounded	

RETRACTIL PVC CABLE AVAILABLE, CONTACT FACTORY

STK#	CAPACITY		THREAD	CONNECTOR	
	lb	N		LEMO	CABLE
FSH00977	5000	22240	3/4-16	X	X
FSH02064					
FSH00976			M16 X 2	X	X
FSH01594					
FSH00979	10000	44480	3/4-16	X	X
FSH02066					
FSH00978			M16 X 2	X	X
FSH01516					